

# CL - xx - xPx - G - xx - S - C - xxx - x - xx - A - x - A - x

REVISION	DESCRIPTION	DATE	DESIGN	APPROVED
E	CIRCULAR CONNECTION 400, 500 REMOVED	28.8.2018	MAM	VPA

Hood body construction	
SW	SteelWhite RAL9010
S4	SS 304
S6	SS 316L

Filter front size	
3P3	305x305
3P6	305x610
4P4	457x457
5P5	508x508
6P6	610x610
9P6	915x610
9P9	915x915
11P5	1108x508
12P6	1220x610

Filter frame height	
MD-71	(Standard)
MX-105	
MG-115	

Air inlet size	
	available for:
160	3P3
200	3P3, 3P6, 4P4
250	3P6, 4P4, 5P5, 6P6
315	5P5, 6P6, 9P6, 9P9, 11P5, 12P6
355	9P6, 9P9, 11P5, 12P6
400	9P6
500	9P9

Damper	
N	No Damper
D	Damper

Entry pos.	
00	All square
LS	Long Side
SS	Short Side

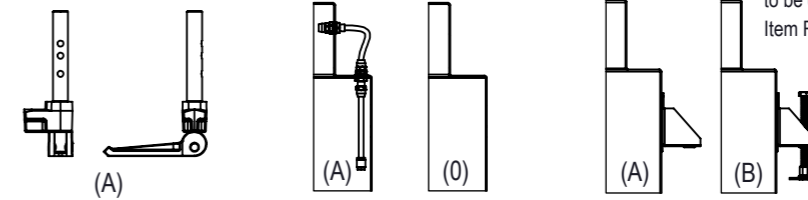
Filter clamping		
X	A	Standard clamp tool free

dp Pressure port	
A	1 Set mounted (Standard)
0	None

Universal support		
X	A	Brackets only

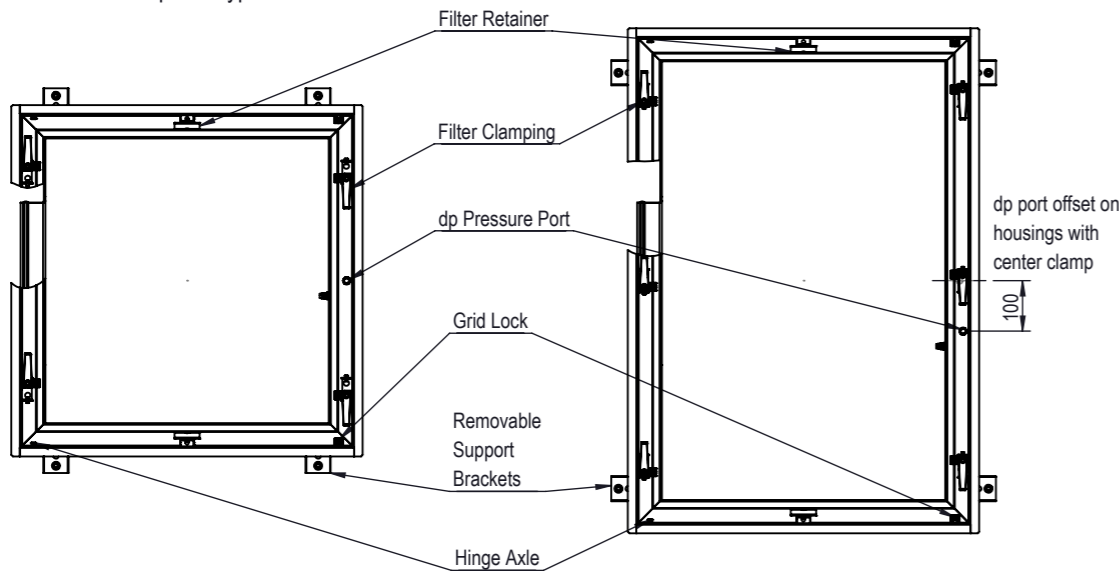
Other accessories

Option B  
Pressure screw kit for  
1 housing (4x)  
to be ordered separately  
Item Ref. F8 000 000 2

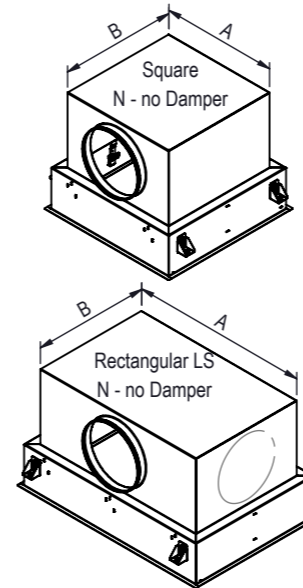
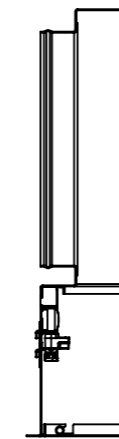


Square Type

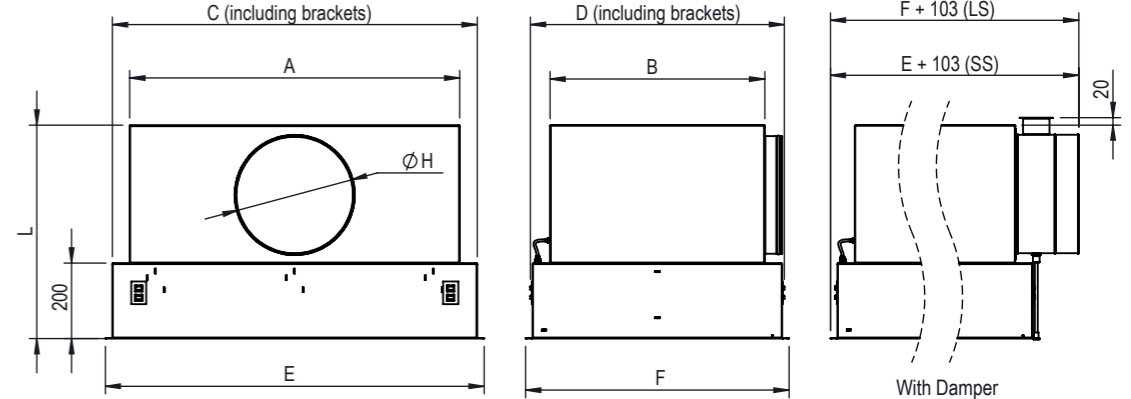
Rectangular Type



N - no Damper

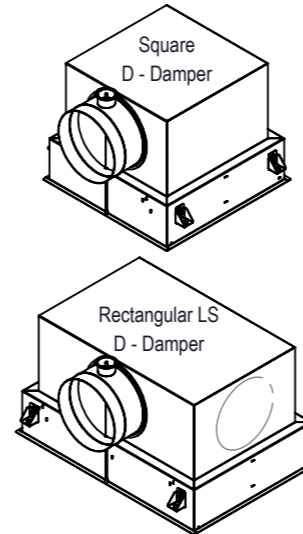
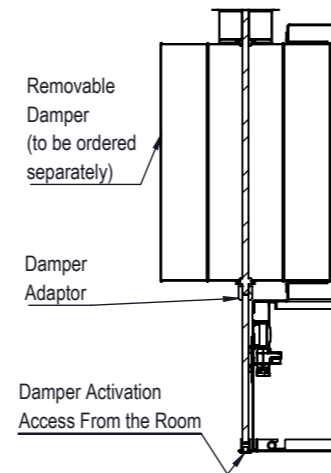


Housing FootPrint



Installation Opening

D - Damper



	φH	Model type	L	A	B	C	D	E	F	Ext + 7
3P3	160	CL-3P3-G-xx-S-C-160-x	410	263	263	367	355	392	392	374 374
3P6	200	CL-3P6-G-xx-S-C-200-x SS or LS	450	568	263	660	367	697	392	667 374
4P4	250	CL-4P4-G-xx-S-C-250-x	450	415	415	519	507	544	544	526 526
	250	CL-4P4-G-xx-S-C-250-x	500	415	415	519	507	544	544	526 526
5P5	250	CL-5P5-G-xx-S-C-250-x	500	466	466	570	558	595	595	577 577
	315	CL-5P5-G-xx-S-C-315-x	565	466	466	570	558	595	595	577 577
6P6	250	CL-6P6-G-xx-S-C-250-x	500	568	568	672	660	697	697	679 679
	315	CL-6P6-G-xx-S-C-315-x	565	568	568	672	660	697	697	679 679
9P6	315	CL-9P6-G-xx-S-C-315-x SS or LS	565	873	568	965	672	1002	697	972 679
	355	CL-9P6-G-xx-S-C-355-x SS or LS	605	873	568	965	672	1002	697	972 679
9P9	315	CL-9P9-G-xx-S-C-315-x	565	873	873	977	965	1002	1002	984 984
	355	CL-9P9-G-xx-S-C-355-x	605	873	873	977	965	1002	1002	984 984
11P5	315	CL-11P5-G-xx-S-C-315-x SS or LS	565	1066	466	1158	570	1195	595	1165 577
	355	CL-11P5-G-xx-S-C-355-x SS or LS	605	1066	466	1158	570	1195	595	1165 577
12P6	315	CL-12P6-G-xx-S-C-315-x SS or LS	565	1178	568	1270	672	1307	697	1277 679
	355	CL-12P6-G-xx-S-C-355-x SS or LS	605	1178	568	1270	672	1307	697	1277 679

Product String: CL - \_ - P - G - \_ - S - C - \_ - - - A - - A - \_

- Approved
- Approved as noted
- Revise and Resubmit

NAME: \_\_\_\_\_ SIGNATURE: \_\_\_\_\_  
COMPANY: \_\_\_\_\_ DATE: \_\_\_\_\_



DESCRIPTION			
CleanSeal - Gel - Side Circular			
PROJECT	LAST REVISION	WEIGHT	SCALE
DRAWING REF.	SHEET	SIZE	
Customer Drawing - CL-G-S-C			
		1/1	A3

Dampers NOT included, to be ordered separately

Description	EMC COMIC	Item code
DTU damper 160 Galv	F55779901	255815
DTU damper 200 Galv	F55779902	255817
DTU damper 250 Galv	F55779903	255819
DTU damper 315 Galv	F55779904	255822
DTU damper 355 Galv	F55779905	255823

NB: The copyright of this drawing remains with Camfil. Contents must not be used, copied or disclosed to third parties without prior written consent. All rights reserved.